

CATALOGUE 2023
lighting fixtures

VATRA CORPORATION



Professional lighting!

<http://vatra.ua>



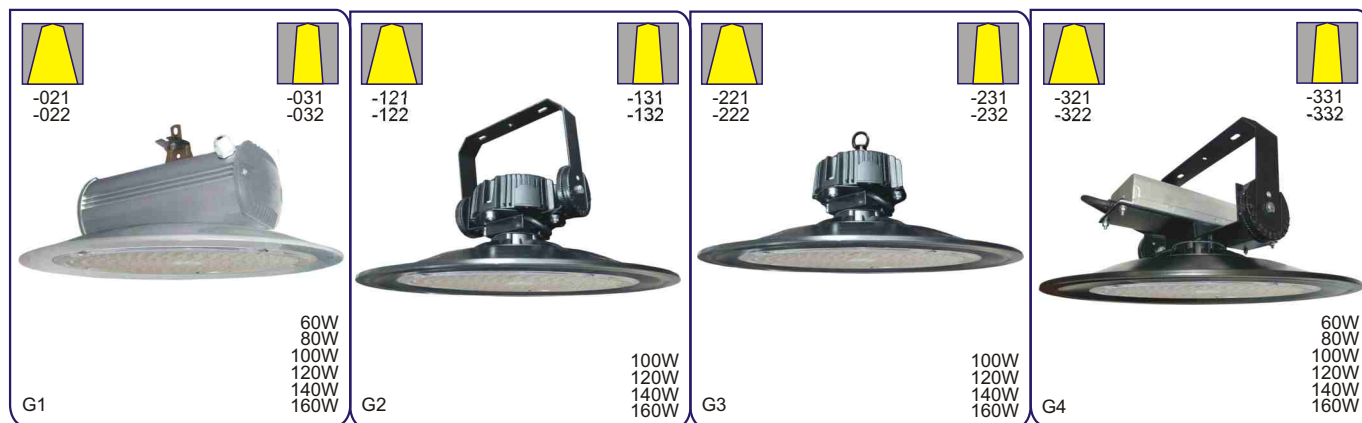
DSP67V

VATRA Corporation

www.vatra.ua



source of light and power, W..... LEDs • 60, 80, 100, 120, 140, 160
 rated voltage, V..... 230 AC
 protection level..... IP65
 correlated colour temperature (CCT)... 4000K
 power factor compensation (PFC)..... 0,95...0,97
 ambient temperature..... G1
 60, 80, 100W: -40°C...+60°C (N2)
 120W: -40°C...+50°C (N2)
 140, 160W: -40°C...+40°C (N2)
 G2, G3, G4
 60, 80, 100: -40°C...+60°C (N1)
 120W: -40°C...+50°C (N1)
 140, 160W: -40°C...+40°C (N1)



Lighting fixture is used for lighting industrial, agricultural, warehouse and other premises of hazardous areas of zone 22.

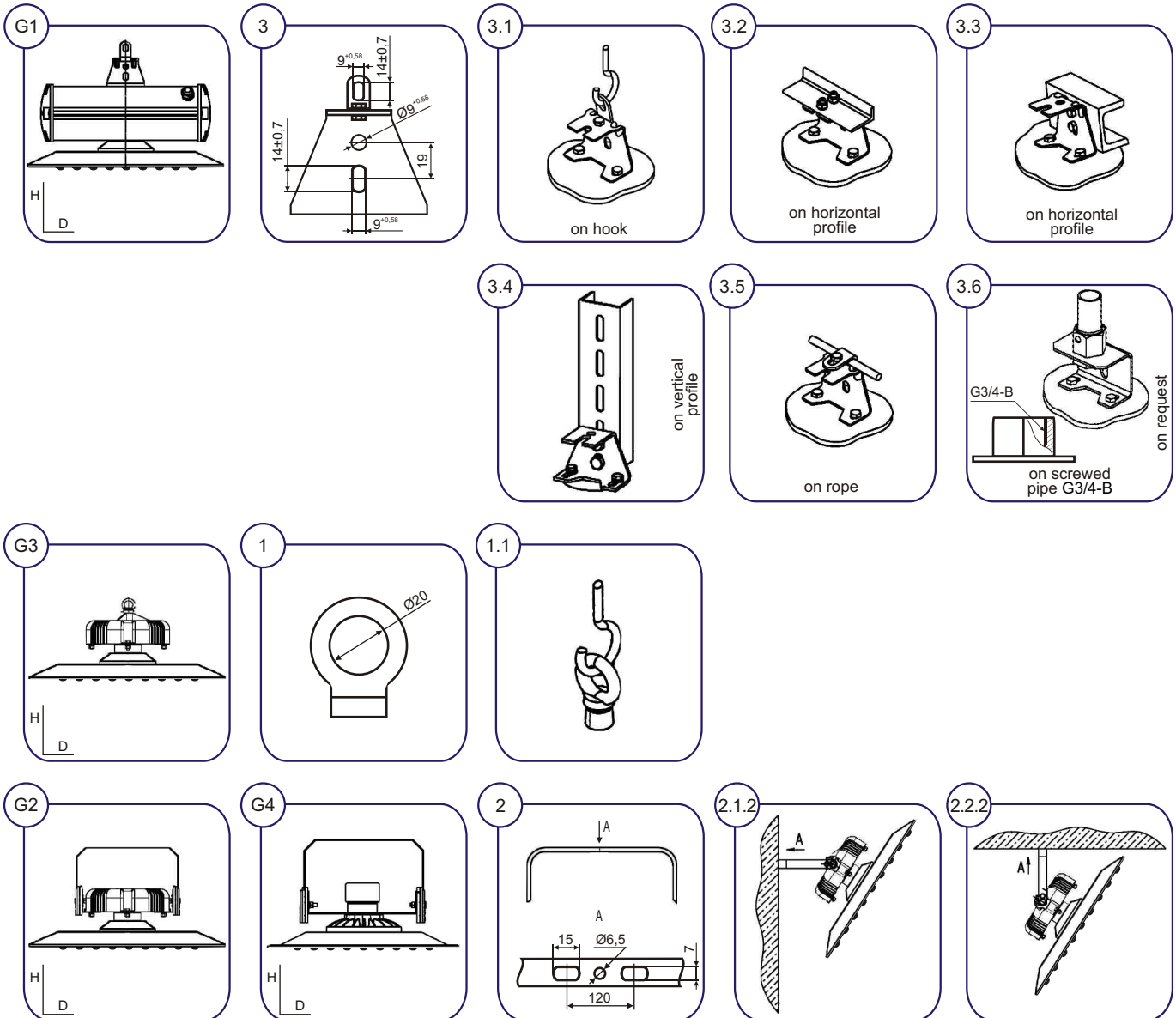
Electrical block housing (modification): extruded anodized aluminum profile or aluminum alloy.
 Housing of optical system: aluminum sheet and aluminum alloy.
 Light-transparent protective element: monoblock lenses of secondary optics - polycarbonate.
 Mounting lyre or universal mounting knot or suspension for hook (modification): steel
 Control gear:
 • driver *Mean Well*
 • driver with DIM function (on request)
 Cable gland: 1 or 2pcs.
 Source of light: LEDs *Seoul Semiconductor*.

Delivery set: lighting fixture with LEDs, on request for modification G1 - knot for mounting on vertical pipe G3/4-B.

ADVANTAGES:

- models G2, G4 have a possibility to control the direction of light;
- on request: lighting fixture can be with DIM-driver - regulation of the intensity of luminous flux by dimming (1...10V DC) in the range 10...100%;
- source of light - LEDs - energy efficiency «A++»;
- on request: CCT - 3000K or 5000K;
- models G2, G3, G4 have electrical cable with length 200mm, it provides easy network connection;
- two cable glands make possible quick transit connection to power supply line;
- electric components and LEDs are from leading world manufacturers.

DSP67V



Mounting:

- (G1) universal: on hook (3.1), on horizontal (3.2 a6o 3.3) or vertical (3.4) mounting profile, on horizontal rope (3.5), on request: on screwed pipe G3/4-B (3.6).
- (G2) on a horizontal or vertical support surface using a rotary lyre (2.1.2 or 2.2.2). Regulation of lighting fixture in vertical plane is up to 45° in both sides.
- (G3) on hook (3.1)
- (G4) on a horizontal or vertical support surface using a rotary lyre (2.1.2 or 2.2.2). Regulation of lighting fixture in vertical plane is up to 45° in both sides

Network connection:

- (G1) individual or transit, cable Ø4...10mm (core section 0,75...2,5mm²).
- (G2, G3, G4) individual or transit, cable Ø6...10mm (core section 0,75...2,5mm²).

DSP67V

Order example: **VATRA DSP67V-120-121 N1**

decoding of modification:

1 figure • mounting, constructive type:

- 0- (G1) universal, driver in aluminum profile
- 1- (G2) with the help of lyre, driver in aluminum alloy round housing
- 2- (G3) on hook, driver in aluminum alloy round housing
- 3- (G4) with the help of lyre, driver is in rectangular housing made of aluminum

2 figure • lighting angle:

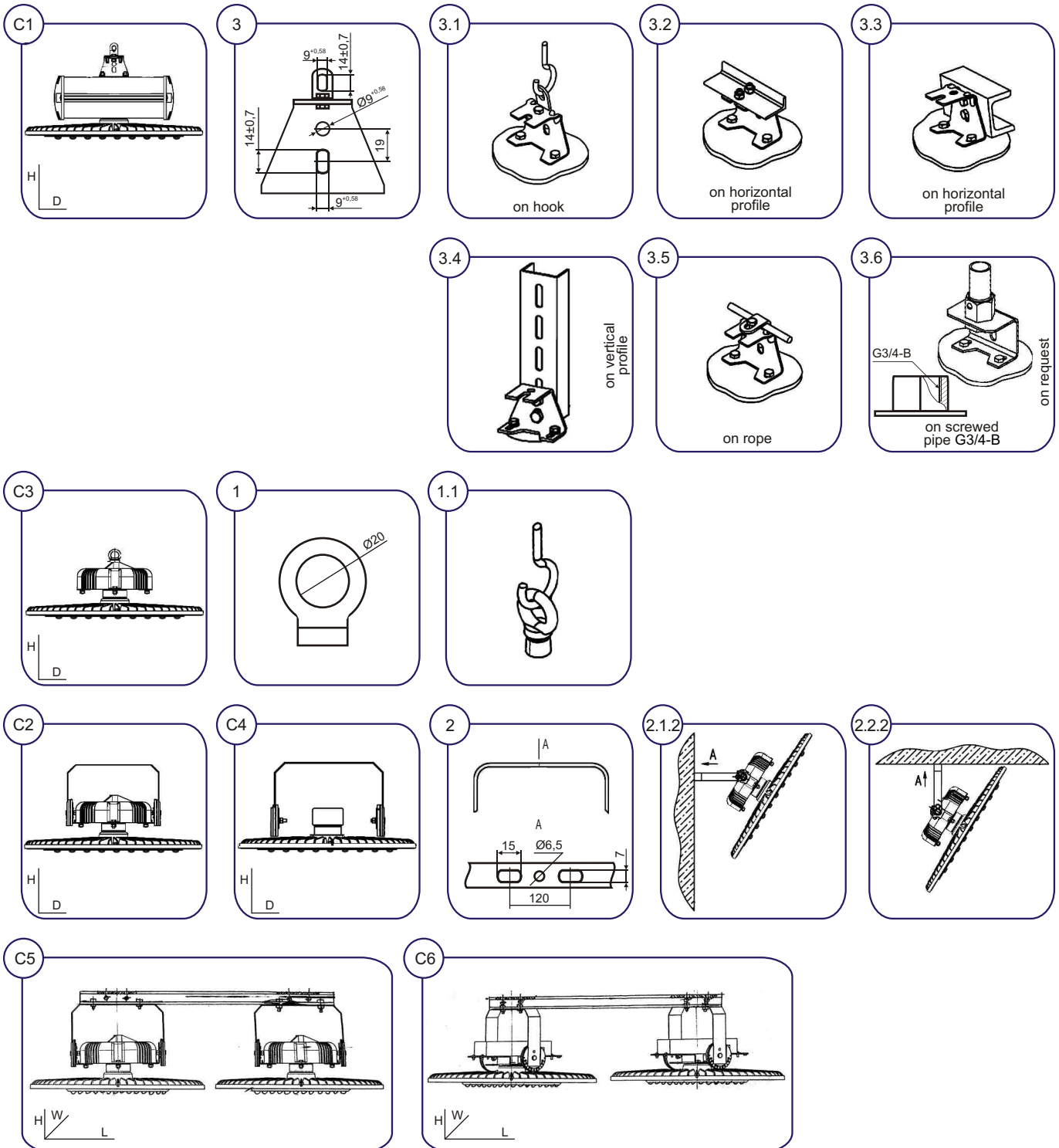
- 2- 90°
- 3- 60°

3 figure • network connection:

- 1- individual
- 2- transit

Photo	Type of lughtung fixture	Rated voltage, V	Protection level	Pow er, W ±5%	Luminous flux, lm ±5%	Lighting angle	Dimensions, DxH (LxWxH), mm	Weight, kg ±10%
G1	DSP 67V-60-021, -022 N2	230 AC	IP65	60	7800	90°	360x240	3,9
G1	DSP 67V-60-031, -032 N2	230 AC	IP65	60	7800	60°	360x240	3,9
G1	DSP 67V-80-021, -022 N2	230 AC	IP65	80	10400	90°	360x240	3,9
G1	DSP 67V-80-031, -032 N2	230 AC	IP65	80	10400	60°	360x240	3,9
G1	DSP 67V-100-021, -022 N2	230 AC	IP65	100	13000	90°	360x240	3,9
G1	DSP 67V-100-031, -032 N2	230 AC	IP65	100	13000	60°	360x240	3,9
G1	DSP 67V-120-021, -022 N2	230 AC	IP65	120	15600	90°	360x240	3,9
G1	DSP 67V-120-031, -032 N2	230 AC	IP65	120	15600	60°	360x240	3,9
G1	DSP 67V-140-021, -022 N2	230 AC	IP65	140	19600	90°	360x240	3,9
G1	DSP 67V-140-031, -032 N2	230 AC	IP65	140	19600	60°	360x240	3,9
G1	DSP 67V-160-021, -022 N2	230 AC	IP65	160	22400	90°	360x240	3,9
G1	DSP 67V-160-031, -032 N2	230 AC	IP65	160	22400	60°	360x240	3,9
G2	DSP 67V-100-121, -122 N1	230 AC	IP65	100	13000	90°	360x240	4
G2	DSP 67V-100-131, -132 N1	230 AC	IP65	100	13000	60°	360x240	4
G2	DSP 67V-120-121, -122 N1	230 AC	IP65	120	15600	90°	360x240	4,2
G2	DSP 67V-120-131, -132 N1	230 AC	IP65	120	15600	60°	360x240	4,2
G2	DSP 67V-140-121, -122 N1	230 AC	IP65	140	19600	90°	360x240	4,2
G2	DSP 67V-140-131, -132 N1	230 AC	IP65	140	19600	60°	360x240	4,2
G2	DSP 67V-160-121, -122 N1	230 AC	IP65	160	22400	90°	360x240	4,2
G2	DSP 67V-160-131, -132 N1	230 AC	IP65	160	22400	60°	360x240	4,2
G3	DSP 67V-100-221, -222 N1	230 AC	IP65	100	13000	90°	360x200	3,8
G3	DSP 67V-100-231, -232 N1	230 AC	IP65	100	13000	60°	360x200	3,8
G3	DSP 67V-120-221, -222 N1	230 AC	IP65	120	15600	90°	360x200	4
G3	DSP 67V-120-231, -232 N1	230 AC	IP65	120	15600	60°	360x200	4
G3	DSP 67V-140-221, -222 N1	230 AC	IP65	140	19600	90°	360x200	4
G3	DSP 67V-140-231, -232 N1	230 AC	IP65	140	19600	60°	360x200	4
G3	DSP 67V-160-221, -222 N1	230 AC	IP65	160	22400	90°	360x200	4
G3	DSP 67V-160-231, -232 N1	230 AC	IP65	160	22400	60°	360x200	4
G4	DSP 67V-60-321, -322 N1	230 AC	IP65	60	7800	90°	360x240	4,1
G4	DSP 67V-60-331, -332 N1	230 AC	IP65	60	7800	60°	360x240	4,1
G4	DSP 67V-80-321, -322 N1	230 AC	IP65	80	10400	90°	360x240	4,1
G4	DSP 67V-80-331, -332 N1	230 AC	IP65	80	10400	60°	360x240	4,1
G4	DSP 67V-100-321, -322 N1	230 AC	IP65	100	13000	90°	360x240	4,1
G4	DSP 67V-100-331, -332 N1	230 AC	IP65	100	13000	60°	360x240	4,1
G4	DSP 67V-120-321, -322 N1	230 AC	IP65	120	15600	90°	360x240	4,1
G4	DSP 67V-120-331, -332 N1	230 AC	IP65	120	15600	60°	360x240	4,1
G4	DSP 67V-140-321, -322 N1	230 AC	IP65	140	19600	90°	360x240	4,1
G4	DSP 67V-140-331, -332 N1	230 AC	IP65	140	19600	60°	360x240	4,1
G4	DSP 67V-160-321, -322 N1	230 AC	IP65	160	22400	90°	360x240	4,1
G4	DSP 67V-160-331, -332 N1	230 AC	IP65	160	22400	60°	360x240	4,1

DSP37V



Mounting:

- (C1) universal: on hook (3.1), on horizontal (3.2 aдо 3.3) or vertical (3.4) mounting profile, on horizontal rope (3.5), on request: on screwed pipe G3/4-B (3.6).
- (C2) on a horizontal or vertical support surface using a rotary lyre (2.1.2 aдо 2.2.2). Regulation of lighting fixture in vertical plane is up to 45° in both sides.
- (C3) on hook (3.1)
- (C4) on a horizontal or vertical support surface using a rotary lyre (2.1.2 aдо 2.2.2). Regulation of lighting fixture in vertical plane is up to 45° in both sides.
- (C5, C6) on horizontal or vertical mounting profile.

Network connection:

- (C1) individual or transit, cable Ø9...12mm (core section 0,75...2,5mm²).
- (C2, C3, C4, C5, C6) individual or transit, cable Ø6...10mm (core section 0,75...2,5mm²).

DSP37V

Order example: **VATRA DSP37V-190-121 N1**

decoding of modification:

1 figure • mounting, constructive type:

- 0- (C1) universal, driver is in aluminum profile
- 1- (C2) with the help of lyre, driver is in round housing made of aluminum alloy
- 2- (C3) on hook, driver is in round housing made of aluminum alloy
- 3- (C4) with the help of lyre, driver is in rectangular housing made of aluminum
- 4- (C5) on horizontal or vertical profile, driver is in rectangular housing made of aluminum
- 5- (C6) on horizontal or vertical profile, driver is in round housing made of aluminum alloy

2 figure • lighting angle:

- 1- 120°
- 2- 90°
- 3- 60°

3 figure • network connection:

- 1- individual
- 2- transit

Picture	Type of lighting fixture	Rated voltage, V	Protection level	Power, W ±5%	Luminous flux, lm ±5%	Lighting angle	Dimensions, DxH (LxWxH), mm	Weight, kg ±10%
C1	DSP37V-80-011, -012 N2	230 AC	IP65	80	10900	120°	445x235	6,1
C1	DSP37V-80-021, -022 N2	230 AC	IP65	80	10900	90°	445x235	6,1
C1	DSP37V-80-031, -032 N2	230 AC	IP65	80	10900	60°	445x235	6,1
C1	DSP37V-100-011, -012 N2	230 AC	IP65	100	13500	120°	445x235	6,1
C1	DSP37V-100-021, -022 N2	230 AC	IP65	100	13500	90°	445x235	6,1
C1	DSP37V-100-031, -032 N2	230 AC	IP65	100	13500	60°	445x235	6,1
C1	DSP37V-160-011, -012 N2	230 AC	IP65	160	20480	120°	445x235	6,1
C1	DSP37V-160-021, -022 N2	230 AC	IP65	160	20480	90°	445x235	6,1
C1	DSP37V-160-031, -032 N2	230 AC	IP65	160	20480	60°	445x235	6,1
C1	DSP37V-190-011, -012 N2	230 AC	IP65	190	25650	120°	445x235	6,1
C1	DSP37V-190-021, -022 N2	230 AC	IP65	190	25650	90°	445x235	6,1
C1	DSP37V-190-031, -032 N2	230 AC	IP65	190	25650	60°	445x235	6,1
C1	DSP37V-230-011, -012 N2	230 AC	IP65	230	31050	120°	445x235	6,4
C1	DSP37V-230-021, -022 N2	230 AC	IP65	230	31050	90°	445x235	6,4
C1	DSP37V-230-031, -032 N2	230 AC	IP65	230	31050	60°	445x235	6,4
C2	DSP37V-100-111, -112 N1	230 AC	IP65	100	13500	120°	445x235	5,4
C2	DSP37V-100-121, -122 N1	230 AC	IP65	100	13500	90°	445x235	5,4
C2	DSP37V-100-131, -132 N1	230 AC	IP65	100	13500	60°	445x235	5,4
C2	DSP37V-140-111, -112 N1	230 AC	IP65	140	17920	120°	445x235	5,9
C2	DSP37V-140-121, -122 N1	230 AC	IP65	140	17920	90°	445x235	5,9
C2	DSP37V-140-131, -132 N1	230 AC	IP65	140	17920	60°	445x235	5,9
C2	DSP37V-190-111, -112 N1	230 AC	IP65	190	25650	120°	445x235	6,5
C2	DSP37V-190-121, -122 N1	230 AC	IP65	190	25650	90°	445x235	6,5
C2	DSP37V-190-131, -132 N1	230 AC	IP65	190	25650	60°	445x235	6,5
C2	DSP37V-230-111, -112 N1	230 AC	IP65	230	31050	120°	445x235	6,5
C2	DSP37V-230-121, -122 N1	230 AC	IP65	230	31050	90°	445x235	6,5
C2	DSP37V-230-131, -132 N1	230 AC	IP65	230	31050	60°	445x235	6,5
C3	DSP37V-100-211, -212 N1	230 AC	IP65	100	13500	120°	445x200	5
C3	DSP37V-100-221, -222 N1	230 AC	IP65	100	13500	90°	445x200	5
C3	DSP37V-100-231, -232 N1	230 AC	IP65	100	13500	60°	445x200	5
C3	DSP37V-140-211, -212 N1	230 AC	IP65	140	17920	120°	445x200	5,3
C3	DSP37V-140-221, -222 N1	230 AC	IP65	140	17920	90°	445x200	5,3
C3	DSP37V-140-231, -232 N1	230 AC	IP65	140	17920	60°	445x200	5,3
C3	DSP37V-190-211, -212 N1	230 AC	IP65	190	25650	120°	445x200	5,9
C3	DSP37V-190-221, -222 N1	230 AC	IP65	190	25650	90°	445x200	5,9
C3	DSP37V-190-231, -232 N1	230 AC	IP65	190	25650	60°	445x200	5,9
C3	DSP37V-230-211, -212 N1	230 AC	IP65	230	31050	120°	445x200	5,9
C3	DSP37V-230-221, -222 N1	230 AC	IP65	230	31050	90°	445x200	5,9
C3	DSP37V-230-231, -232 N1	230 AC	IP65	230	31050	60°	445x200	5,9
C4	DSP37V-80-311, -312 N1	230 AC	IP65	80	10900	120°	445x235	5,4
C4	DSP37V-80-321, -322 N1	230 AC	IP65	80	10900	90°	445x235	5,4
C4	DSP37V-80-331, -332 N1	230 AC	IP65	80	10900	60°	445x235	5,4
C4	DSP37V-100-311, -312 N1	230 AC	IP65	100	13500	120°	445x235	5,4
C4	DSP37V-100-321, -322 N1	230 AC	IP65	100	13500	90°	445x235	5,4
C4	DSP37V-100-331, -332 N1	230 AC	IP65	100	13500	60°	445x235	5,4
C4	DSP37V-160-311, -312 N1	230 AC	IP65	160	20480	120°	445x235	5,4
C4	DSP37V-160-321, -322 N1	230 AC	IP65	160	20480	90°	445x235	5,4
C4	DSP37V-160-331, -332 N1	230 AC	IP65	160	20480	60°	445x235	5,4
C4	DSP37V-190-311, -312 N1	230 AC	IP65	190	25650	120°	445x235	5,5
C4	DSP37V-190-321, -322 N1	230 AC	IP65	190	25650	90°	445x235	5,5
C4	DSP37V-190-331, -332 N1	230 AC	IP65	190	25650	60°	445x235	5,5
C4	DSP37V-230-311, -312 N1	230 AC	IP65	230	31050	120°	445x235	5,5
C4	DSP37V-230-321, -322 N1	230 AC	IP65	230	31050	90°	445x235	5,5
C4	DSP37V-230-331, -332 N1	230 AC	IP65	230	31050	60°	445x235	5,5
C5	DSP37V-460-421, -422 N1	230 AC	IP65	460	62100	90°	950x445x310	14,5
C5	DSP37V-460-431, -432 N1	230 AC	IP65	460	62100	60°	950x445x310	14,5
C6	DSP37V-460-521, -522 N1	230 AC	IP65	460	62100	90°	950x445x310	12,5
C6	DSP37V-460-531, -532 N1	230 AC	IP65	460	62100	60°	950x445x310	12,5

DSP77V

VATRA Corporation

www.vatra.ua



source of light and power, W..... **LEDs • 30, 40, 50**
 rated voltage, V..... **230 AC, 230 DC**
 protection level..... **IP65**
 correlated colour temperature (CCT)... **4000K**
 power factor compensation (PFC)..... **0,95...0,97**
 ambient temperature..... **-40°C...+40°C (N1)**



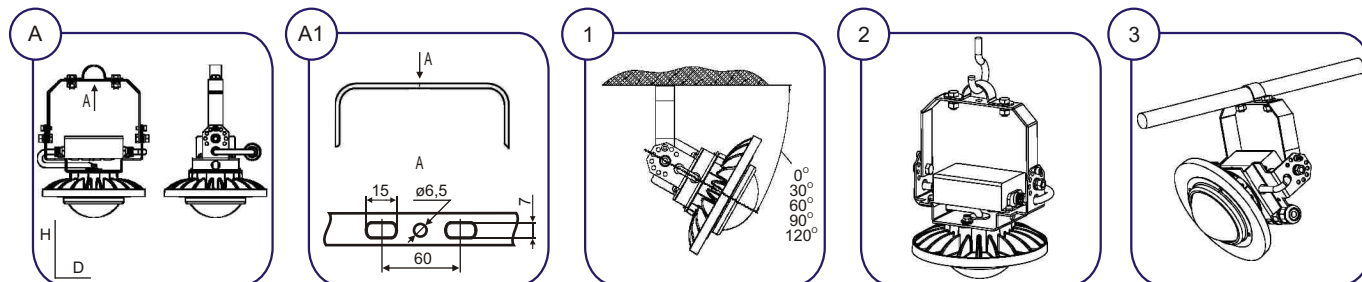
Lighting fixture is used for lighting industrial, agricultural, warehouse and other premises.

Housing: aluminum alloy.
 Light-transparent protective element: optical lense - heat-resistant glass.
 Control gear: driver *Mean Well*.
 Cable connector (modification): 1pc. - for individual or transit connection to power supply line.
 Source of light: LEDs.

Delivery set: lighting fixture with LEDs.

ADVANTAGES:

- have a possibility to control the direction of light;
- source of light - LEDs - energy efficiency «A++»;
- modifications with a cable connector for transit connection to power supply line;
- on request: CCT - 3000K or 5000K;
- electric components and LEDs are from leading world manufacturers.



Mounting:

- on a horizontal or vertical support surface using a rotary lyre (1).
- on hook (2), on horizontal pipe with outer max. Ø20mm (3).

Network connection: individual or transit, cable Ø6...10mm (core section 0,75...2,5mm²).

Order example: **VATRA DSP77V-50-111 N1**

decoding of modification:

1 figure • mounting: on a horizontal or vertical support surface using a rotary lyre, on hook, on horizontal pipe with outer max. Ø20mm

2 figure • lighting angle:

- 1- 120°
- 2- 90°
- 3- 60°

3 figure • network connection:

- 1- individual
- 2- transit

Lighting fixture type	Rated voltage, V	Protection level	Power, W ±5%	Luminous flux, lm ±5%	Lighting angle	Dimensions, LxWxH, mm	Weight, kg ±10%
DSP77V-30-111, -112 N1	230 AC/DC	IP65	30	4200	120°	155x140x210	1,4
DSP77V-30-121, -122 N1	230 AC/DC	IP65	30	4200	90°	155x140x210	1,4
DSP77V-30-131, -132 N1	230 AC/DC	IP65	30	4200	60°	155x140x210	1,4
DSP77V-40-111, -112 N1	230 AC/DC	IP65	40	5600	120°	155x140x210	1,4
DSP77V-40-121, -122 N1	230 AC/DC	IP65	40	5600	90°	155x140x210	1,4
DSP77V-40-131, -132 N1	230 AC/DC	IP65	40	5600	60°	155x140x210	1,4
DSP77V-50-111, -112 N1	230 AC/DC	IP65	50	7000	120°	155x140x210	1,4
DSP77V-50-121, -122 N1	230 AC/DC	IP65	50	7000	90°	155x140x210	1,4
DSP77V-50-131, -132 N1	230 AC/DC	IP65	50	7000	60°	155x140x210	1,4

DSP11 (model A)

VATRA Corporation

www.vatra.ua



source of light and power, W..... LEDs • 9, 13
 rated voltage, V..... 230 AC
 protection level..... IP65
 correlated colour temperature (CCT)... 4000K
 power factor compensation (PFC)..... 0,95
 ambient temperature..... -30°C...+40°C (N1)



Lighting fixture is used for lighting industrial, agricultural, warehouse and other premises of hazardous areas of zone 22.

Housing: aluminum alloy.

Light-transparent protective element - protective diffuser or cap (modification):

- transparent impact-resistant light-stabilized polycarbonate,
- matt impact-resistant light-stabilized polycarbonate.

Protective grid (modification): steel wire.

On request: mounting rotary lyre - steel.

Control gear: driver VATRA.

Cable glands: 1 or 2pcs.

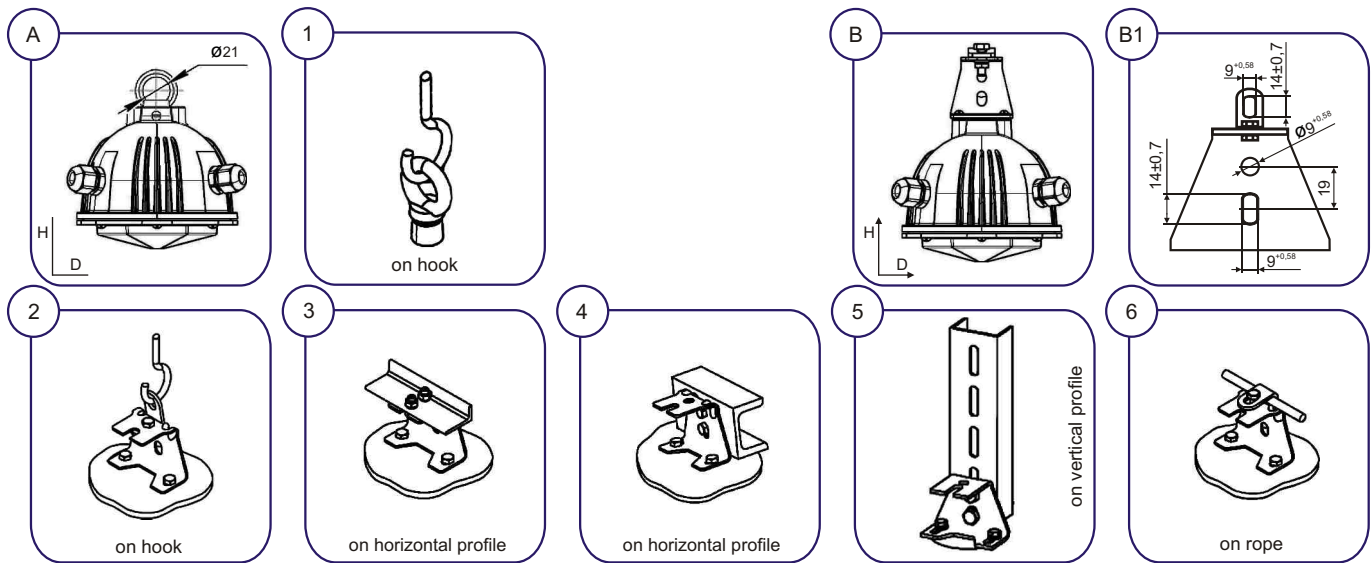
Source of light: LEDs Osram.

Delivery set: lighting fixture with LEDs.

ADVANTAGES:

- on request: AC operating voltage 12V, 24V, 36V;
- on request: mounting rotary lyre - have a possibility to control the direction of light;
- source of light - LEDs - energy efficiency «A++»;
- on request: CCT - 3000K or 5000K;
- two cable glands make possible quick transit connection to power supply line;
- electric components and LEDs are from leading world manufacturers.

DSP11 (model A)



Mounting: individual (one cable gland on the side) or transit (two cable glands on the side) on hook (1 or 2), on horizontal (3 or 4) or vertical (5) mounting profile, on rope (6).

Network connection: cable glands (1 or 2 pcs.) on the side - individual or transit, cable Ø6...13mm (core section 0,5...2,5mm²).

Order example: VATRA DSP11-9-111 N1

decoding of modification:

- 1 figure • 2- on hook; one cable gland - on the side
- 3- on hook; two cable glands - on the side
- 4- on horizontal or vertical mounting profile, or on hook, or on rope; one cable gland - on the side
- 5- on horizontal or vertical mounting profile, or on hook, or on rope; two cable glands - on the side
- 2 figure • 1- protection level IP65
- 3 figure • lighting angle; type light-transparent protective element:
 - 1- 120°; transparent impact-resistant light-stabilized polycarbonate
 - 4- 120°; matt impact-resistant light-stabilized polycarbonate
 - 5- 120°; matt impact-resistant light-stabilized polycarbonate whit protective grid

Lighting fixture type	Rated voltage, V	Protection level	Pow er, W ±5%	Luminous flux, lm ±5%	Lighting angle	Dimensions, DxH, mm	Weight, kg ±10%
DSP11-9-211 N1	230 AC	IP65	9	1080	120°	148x136	0.5
DSP11-9-214 N1	230 AC	IP65	9	1080	120°	148x167	0.5
DSP11-9-215 N1	230 AC	IP65	9	1080	120°	148x182	0.65
DSP11-9-311 N1	230 AC	IP65	9	1080	120°	148x136	0.5
DSP11-9-314 N1	230 AC	IP65	9	1080	120°	148x167	0.5
DSP11-9-315 N1	230 AC	IP65	9	1080	120°	148x182	0.65
DSP11-9-411 N1	230 AC	IP65	9	1080	120°	148x165	0.5
DSP11-9-414 N1	230 AC	IP65	9	1080	120°	148x195	0.55
DSP11-9-415 N1	230 AC	IP65	9	1080	120°	148x210	0.7
DSP11-9-511 N1	230 AC	IP65	9	1080	120°	148x165	0.5
DSP11-9-514 N1	230 AC	IP65	9	1080	120°	148x195	0.55
DSP11-9-515 N1	230 AC	IP65	9	1080	120°	148x210	0.7
DSP11-13-211 N1	230 AC	IP65	13	1560	120°	148x136	0.5
DSP11-13-214 N1	230 AC	IP65	13	1560	120°	148x167	0.5
DSP11-13-215 N1	230 AC	IP65	13	1560	120°	148x182	0.65
DSP11-13-311 N1	230 AC	IP65	13	1560	120°	148x136	0.5
DSP11-13-314 N1	230 AC	IP65	13	1560	120°	148x167	0.5
DSP11-13-315 N1	230 AC	IP65	13	1560	120°	148x182	0.65
DSP11-13-411 N1	230 AC	IP65	13	1560	120°	148x165	0.5
DSP11-13-414 N1	230 AC	IP65	13	1560	120°	148x195	0.55
DSP11-13-415 N1	230 AC	IP65	13	1560	120°	148x210	0.7
DSP11-13-511 N1	230 AC	IP65	13	1560	120°	148x165	0.5
DSP11-13-514 N1	230 AC	IP65	13	1560	120°	148x195	0.55
DSP11-13-515 N1	230 AC	IP65	13	1560	120°	148x210	0.7

DSP11 (model B)



source of light and power, W..... **LEDs • 25, 30, 35, 40**
 rated voltage, V..... **230 AC**
 protection level..... **IP65**
 correlated colour temperature (CCT)... **4000K**
 power factor compensation (PFC)..... **0,95**
 ambient temperature..... **-30°C...+40°C (N1)**



Lighting fixture is used for lighting industrial, agricultural, warehouse and other premises of hazardous areas of zone 22.

Housing: aluminum alloy.

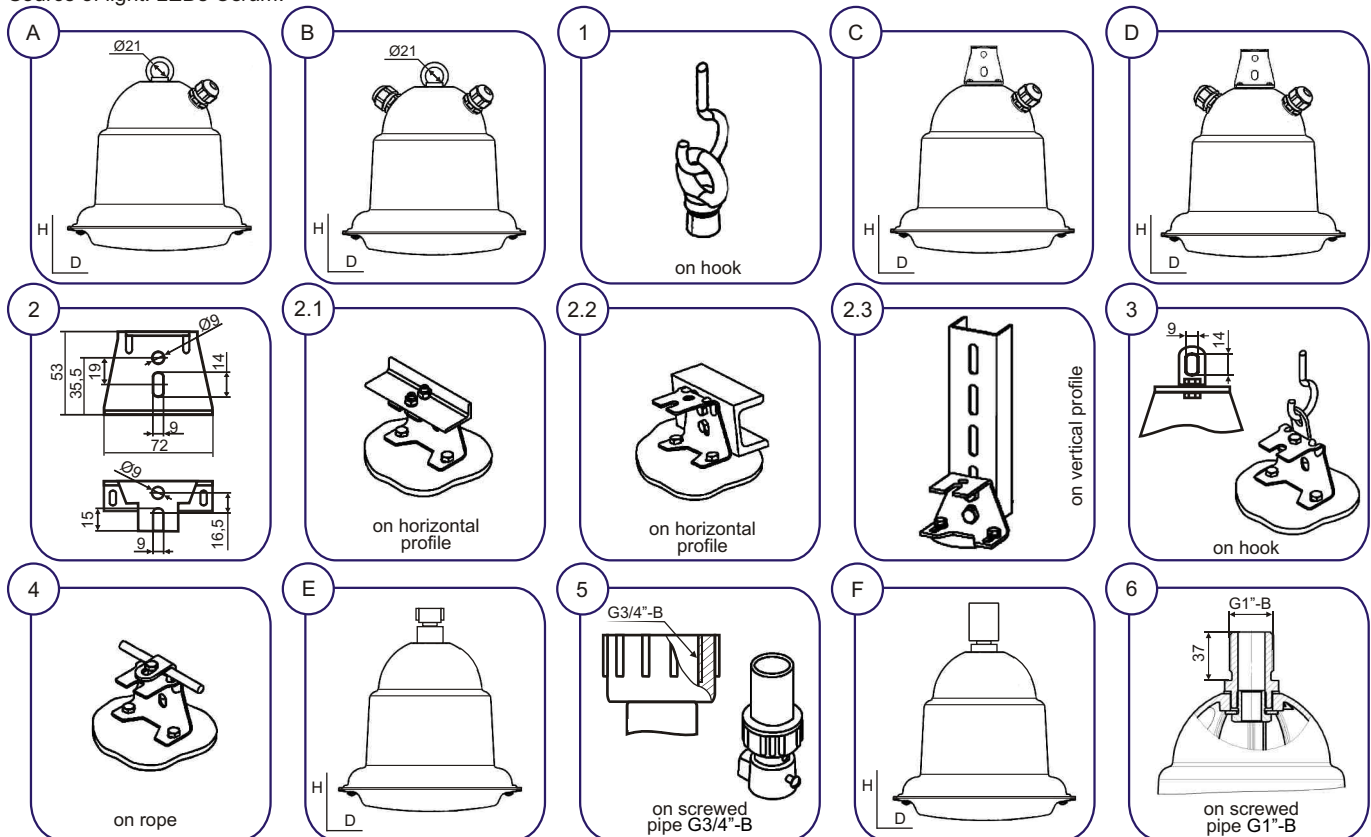
Light-transparent protective element (modification):

- protective diffuser - impact-resistant light-stabilized polycarbonate
- transparent flat tempered glass
- matt flat tempered glass
- protective cap - matt impact-resistant light-stabilized polycarbonate

Control gear: driver VATRA.

Cable gland: 1 or 2 pcs.

Source of light: LEDs Osram.



Mounting:

- (A, B, C, D) individual (one cable gland from side) or transit (two cable glands from side) - on hook (1), on horizontal (2.1 or 2.2) or vertical (2.3) mounting profile, on hook (3), on rope (4).
- (E, F) individual (one cable gland from top) - on screwed pipe with outer thread G3/4"-B (5), on screwed pipe with inner thread G1"-B (6).

Network connection:

- (A, B, C, D) individual or transit, cable Ø7...1mm (core section 0,5...2,5mm²).
- (E, F) individual, using the connected electrical cable.

DSP11 (model B)

VATRA Corporation

www.vatra.ua

ADVANTAGES:

- on request: AC or DC operating voltage 12V, 24V, 36V;
- source of light - LEDs - energy efficiency «A++»;
- on request: CCT - 3000K or 5000K;
- two cable glands make possible quick transit connection to power supply line.

Order example: **VATRA DSP11-35-311 N1**

decoding of modification:

1 figure • mounting; constructive type:

- 2- on hook; one cable gland from side
- 3- on hook; two cable glands from side
- 4- on horizontal or vertical mounting poifile, or on hook, or on rope; one cable gland from side
- 5- on horizontal or vertical mounting poifile, or on hook, or on rope; two cable glands from side
- 6- on pipe with outer thread (G3/4"); one cable gland from top
- 7- on pipe with inner thread (G1"); one cable gland from top

2 figure • 1- protection level IP65

3 figure • lighting angle; type light-transparent protective element:

- 1- 120°; protective diffuser - impact-resistant light-stabilized polycarbonate
- 2- 120°; transparent flat tempered glass
- 3- 120°; matt flat tempered glass
- 4- 120°; protective cap - matt impact-resistant light-stabilized polycarbonate

Type of lighting fixture	Picture	Rated voltage, V	Protection level	Pow er, W ±5%	Luminous flux, lm ±5%	Lighting angle	Dimensions DxH, mm	Weight, kg ±10%
DSP11-25-211 N1	A	230 AC	IP65	25	3000	120°	212x224	1,8
DSP11-25-212, -213 N1	A	230 AC	IP65	25	3000	120°	212x204	2,1
DSP11-25-214 N1	A	230 AC	IP65	25	3000	120°	200x269	1,9
DSP11-25-311 N1	B	230 AC	IP65	25	3000	120°	212x224	1,8
DSP11-25-312, -313 N1	B	230 AC	IP65	25	3000	120°	212x204	2,1
DSP11-25-314 N1	B	230 AC	IP65	25	3000	120°	200x269	1,9
DSP11-25-411 N1	C	230 AC	IP65	25	3000	120°	212x278	1,8
DSP11-25-412, -413 N1	C	230 AC	IP65	25	3000	120°	212x258	2,1
DSP11-25-414 N1	C	230 AC	IP65	25	3000	120°	200x323	1,9
DSP11-25-511 N1	D	230 AC	IP65	25	3000	120°	212x278	1,8
DSP11-25-512, -513 N1	D	230 AC	IP65	25	3000	120°	212x258	2,1
DSP11-25-514 N1	D	230 AC	IP65	25	3000	120°	200x323	1,9
DSP11-25-611 N1	E	230 AC	IP65	25	3000	120°	212x249	1,9
DSP11-25-612, -613 N1	E	230 AC	IP65	25	3000	120°	212x229	2,2
DSP11-25-614 N1	E	230 AC	IP65	25	3000	120°	200x294	2
DSP11-25-711 N1	F	230 AC	IP65	25	3000	120°	212x242	2
DSP11-25-712, -713 N1	F	230 AC	IP65	25	3000	120°	212x222	2,3
DSP11-25-714 N1	F	230 AC	IP65	25	3000	120°	200x287	2,1
DSP11-30-211 N1	A	230 AC	IP65	30	3600	120°	212x224	1,8
DSP11-30-212, -213 N1	A	230 AC	IP65	30	3600	120°	212x204	2,1
DSP11-30-214 N1	A	230 AC	IP65	30	3600	120°	200x269	1,9
DSP11-30-311 N1	B	230 AC	IP65	30	3600	120°	212x224	1,8
DSP11-30-312, -313 N1	B	230 AC	IP65	30	3600	120°	212x204	2,1
DSP11-30-314 N1	B	230 AC	IP65	30	3600	120°	200x269	1,9
DSP11-30-411 N1	C	230 AC	IP65	30	3600	120°	212x278	1,8
DSP11-30-412, -413 N1	C	230 AC	IP65	30	3600	120°	212x258	2,1
DSP11-30-414 N1	C	230 AC	IP65	30	3600	120°	200x323	1,9
DSP11-30-511 N1	D	230 AC	IP65	30	3600	120°	212x278	1,8
DSP11-30-512, -513 N1	D	230 AC	IP65	30	3600	120°	212x258	2,1
DSP11-30-514 N1	D	230 AC	IP65	30	3600	120°	200x323	1,9
DSP11-30-611 N1	E	230 AC	IP65	30	3600	120°	212x249	1,9
DSP11-30-612, -613 N1	E	230 AC	IP65	30	3600	120°	212x229	2,2
DSP11-30-614 N1	E	230 AC	IP65	30	3600	120°	200x294	2
DSP11-30-711 N1	F	230 AC	IP65	30	3600	120°	212x242	2
DSP11-30-712, -713 N1	F	230 AC	IP65	30	3600	120°	212x222	2,3
DSP11-30-714 N1	F	230 AC	IP65	30	3600	120°	200x287	2,1
DSP11-35-211 N1	A	230 AC	IP65	35	4200	120°	212x224	1,8
DSP11-35-212, -213 N1	A	230 AC	IP65	35	4200	120°	212x204	2,1
DSP11-35-214 N1	A	230 AC	IP65	35	4200	120°	200x269	1,9
DSP11-35-311 N1	B	230 AC	IP65	35	4200	120°	212x224	1,8
DSP11-35-312, -313 N1	B	230 AC	IP65	35	4200	120°	212x204	2,1
DSP11-35-314 N1	B	230 AC	IP65	35	4200	120°	200x269	1,9
DSP11-35-411 N1	C	230 AC	IP65	35	4200	120°	212x278	1,8
DSP11-35-412, -413 N1	C	230 AC	IP65	35	4200	120°	212x258	2,1
DSP11-35-414 N1	C	230 AC	IP65	35	4200	120°	200x323	1,9
DSP11-35-511 N1	D	230 AC	IP65	35	4200	120°	212x278	1,8
DSP11-35-512, -513 N1	D	230 AC	IP65	35	4200	120°	212x258	2,1
DSP11-35-514 N1	D	230 AC	IP65	35	4200	120°	200x323	1,9
DSP11-35-611 N1	E	230 AC	IP65	35	4200	120°	212x249	1,9
DSP11-35-612, -613 N1	E	230 AC	IP65	35	4200	120°	212x229	2,2
DSP11-35-614 N1	E	230 AC	IP65	35	4200	120°	200x294	2
DSP11-35-711 N1	F	230 AC	IP65	35	4200	120°	212x242	2
DSP11-35-712, -713 N1	F	230 AC	IP65	35	4200	120°	212x222	2,3
DSP11-35-714 N1	F	230 AC	IP65	35	4200	120°	200x287	2,1
DSP11-40-211 N1	A	230 AC	IP65	40	4800	120°	212x224	1,8
DSP11-40-212, -213 N1	A	230 AC	IP65	40	4800	120°	212x204	2,1
DSP11-40-214 N1	A	230 AC	IP65	40	4800	120°	200x269	1,9
DSP11-40-311 N1	B	230 AC	IP65	40	4800	120°	212x224	1,8
DSP11-40-312, -313 N1	B	230 AC	IP65	40	4800	120°	212x204	2,1
DSP11-40-314 N1	B	230 AC	IP65	40	4800	120°	200x269	1,9
DSP11-40-411 N1	C	230 AC	IP65	40	4800	120°	212x278	1,8
DSP11-40-412, -413 N1	C	230 AC	IP65	40	4800	120°	212x258	2,1
DSP11-40-414 N1	C	230 AC	IP65	40	4800	120°	200x323	1,9
DSP11-40-511 N1	D	230 AC	IP65	40	4800	120°	212x278	1,8
DSP11-40-512, -513 N1	D	230 AC	IP65	40	4800	120°	212x258	2,1
DSP11-40-514 N1	D	230 AC	IP65	40	4800	120°	200x323	1,9
DSP11-40-611 N1	E	230 AC	IP65	40	4800	120°	212x249	1,9
DSP11-40-612, -613 N1	E	230 AC	IP65	40	4800	120°	212x229	2,2
DSP11-40-614 N1	E	230 AC	IP65	40	4800	120°	200x294	2

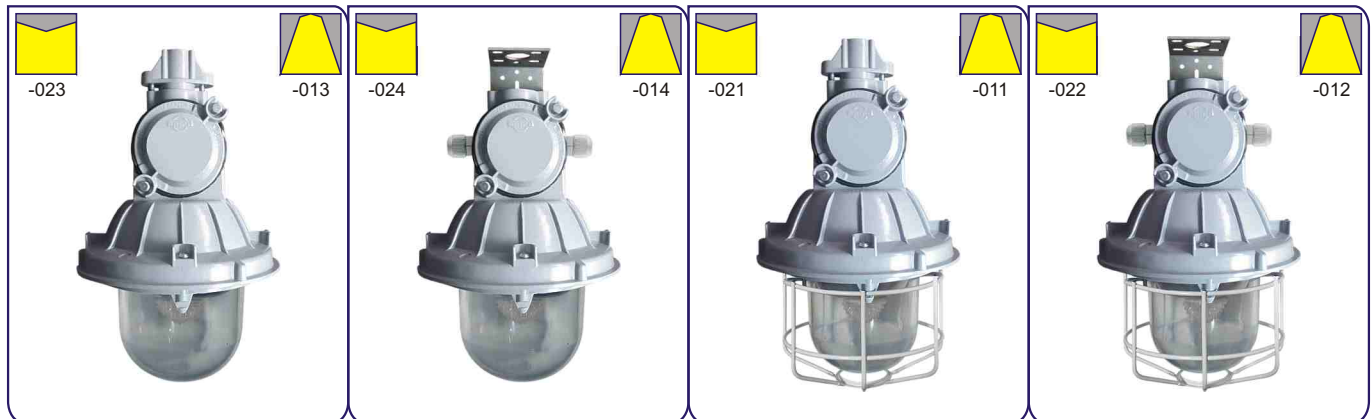
DSP23

VATRA Corporation

www.vatra.ua



source of light and power, W..... **LEDs • 30, 45**
rated voltage, V..... **230 AC, 230 DC**
protection level..... **IP65**
correlated colour temperature (CCT)... **4000K**
power factor compensation (PFC)..... **0,95**
ambient temperature..... **-40°C...+40°C (N1)**



Lighting fixture is used for industrial, agricultural, warehouses and other premises with hazardous area of zone 22.

Housing: aluminum alloy.
Light-transparent element - protective cap: transparent impact-resistant light-stabilized polycarbonate.
Protective grid (modification): steel.
Control gear: driver *Mean Well*.
Cable glands: 1 or 2pcs.
Source of light: LEDs.

Delivery set: lighting fixture with LEDs.

ADVANTAGES:

- operating range of AC voltage 100...264V, DC voltage 127...370V;
- source of light - LEDs - energy efficiency «A++»;
- on request: CCT - 3000K or 5000K;
- two cable glands make possible quick transit connection to power supply line;
- electric components and LEDs are from leading world manufacturers.

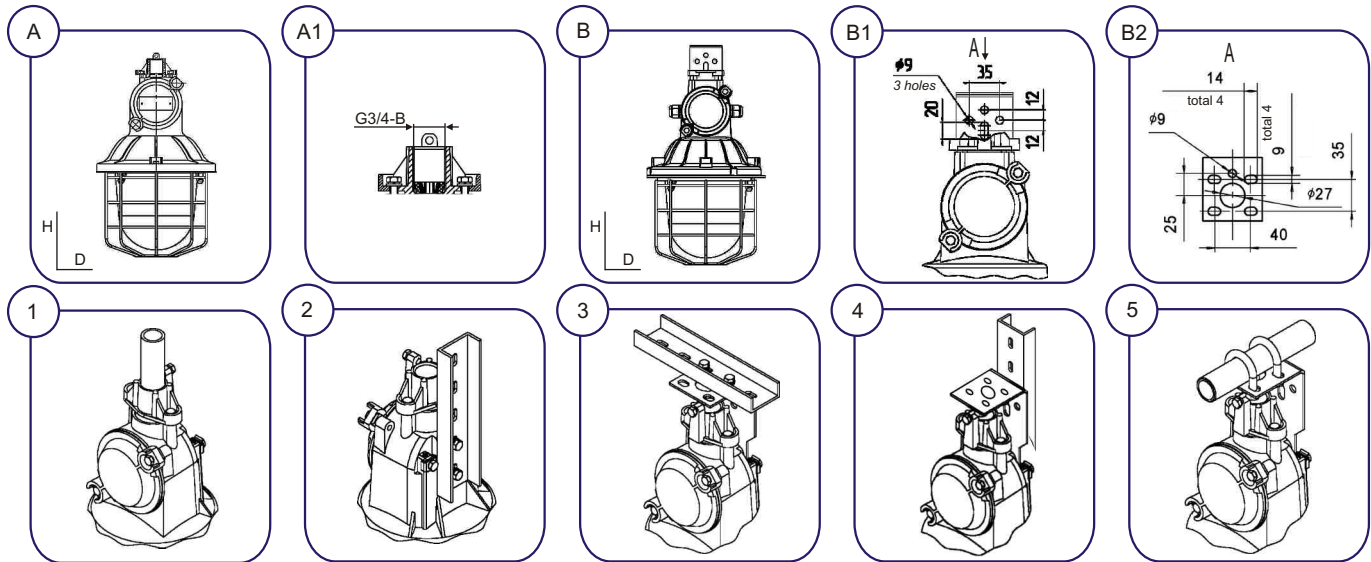
DSP23

Network connection:

- individual connection (A) cable Ø8...16mm (core section 1,5...4mm²)
- transit connection (B) cable Ø7...13mm (core section 1,5...4mm²).

Mounting:

- individual - on vertical screwed pipe G3/4-B (1), vertical mounting profile (2).
- transit - on horizontal (3) or vertical (4) mounting profile, on horizontal pipe Ø25...28mm (5).



Order example: VATRA DSP23-45-023 N1

decoding of modification:

1 figure • 0

2 figure • lighting angle:

1- 120°

2- 140°

3 figure • design version:

1- with grid; on vertical screwed pipe G3/4-B, on horizontal or vertical mounting profile, or on horizontal pipe; one cable gland

2- with grid; on horizontal or vertical mounting profile, or on horizontal pipe; two cable glands

3- without grid; on vertical screwed pipe G3/4-B, on horizontal or vertical mounting profile, or on horizontal pipe; one cable gland

4- without grid; on horizontal or vertical mounting profile, or on horizontal pipe; two cable glands

Lighting fixture type	Rated voltage, V	Protection level	Power, W ±5%	Luminous flux, lm ±5%	Lighting angle	Dimensions, DxH, mm	Weight, kg ±10%
DSP23-30-011 N1	230 AC/DC	IP65	30	4200	120°	240x390	2,9
DSP23-30-012 N1	230 AC/DC	IP65	30	4200	120°	240x390	2,9
DSP23-30-013 N1	230 AC/DC	IP65	30	4200	120°	240x385	2,6
DSP23-30-014 N1	230 AC/DC	IP65	30	4200	120°	240x385	2,6
DSP23-30-021 N1	230 AC/DC	IP65	30	4200	140°	240x390	3,4
DSP23-30-022 N1	230 AC/DC	IP65	30	4200	140°	240x390	3,4
DSP23-30-023 N1	230 AC/DC	IP65	30	4200	140°	240x385	3,1
DSP23-30-024 N1	230 AC/DC	IP65	30	4200	140°	240x385	3,1
DSP23-45-011 N1	230 AC/DC	IP65	45	6300	120°	240x390	2,9
DSP23-45-012 N1	230 AC/DC	IP65	45	6300	120°	240x390	2,9
DSP23-45-013 N1	230 AC/DC	IP65	45	6300	120°	240x385	2,6
DSP23-45-014 N1	230 AC/DC	IP65	45	6300	120°	240x385	2,6
DSP23-45-021 N1	230 AC/DC	IP65	45	6300	140°	240x390	3,4
DSP23-45-022 N1	230 AC/DC	IP65	45	6300	140°	240x390	3,4
DSP23-45-023 N1	230 AC/DC	IP65	45	6300	140°	240x385	3,1
DSP23-45-024 N1	230 AC/DC	IP65	45	6300	140°	240x385	3,1

DSP46U

VATRA Corporation

www.vatra.ua



source of light and power, W.....	LEDs • 40, 60, 80, 120
rated voltage, V.....	230 AC
protection level.....	IP65
correlated colour temperature (CCT)...	4000K
power factor compensation (PFC).....	0,95
ambient temperature.....	-30°C...+40°C (N3) +5°C...+40°C (N3) for emergency modifications



Lighting fixture is used for lighting industrial, agricultural, warehouse, sport and other premises of hazardous areas of zone 22.

Housing: extruded aluminum profile.

Side covers: glass-filled polyamide.

Light-transparent protective element (modification): matt light-stabilized non-flammable polycarbonate.

Control gear (modification):

- driver *Philips* or *Osram*
- driver with emergency unit

Cable gland: 1 or 2 pcs.

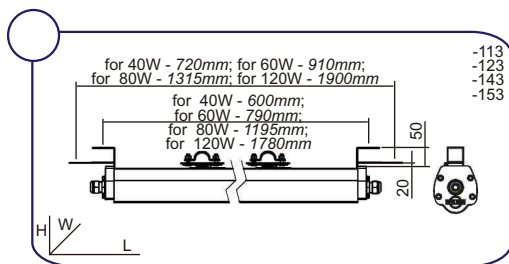
Source of light: LEDs *LG* or *Osram*.

Delivery set: lighting fixture with LEDs.

ADVANTAGES:

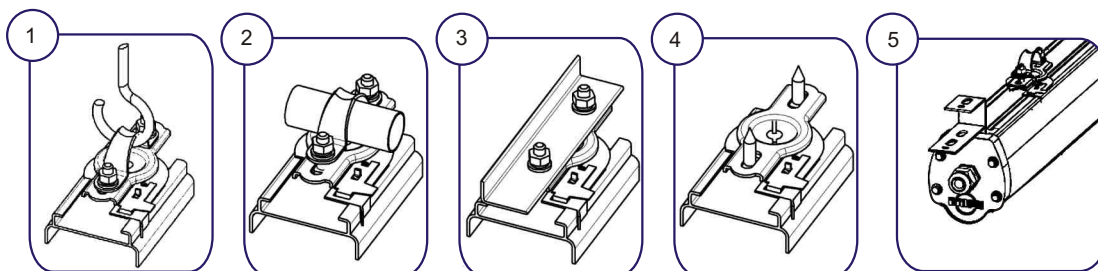
- there are modifications with emergency unit for emergency mode at least 3 hours;
- lighting fixtures work in AC range 202...254V;
- source of light - LEDs - energy efficiency «A++»;
- on request: CCT - 3000K or 5000K;
- two cable glands make possible quick transit connection to power supply line;
- electric components and LEDs are from leading world manufacturers.

DSP46U



Mounting: on hook (1); on horizontal pipe Ø25...28mm (2); on horizontal mounting profile (3); screws, threaded pins or bolts on supporting surface with the help of mounting knot (4) or with the help of clips (5), on request: clip for hanging on vertical rope.

Network connection: individual or transit, cable Ø7...12mm (core section 1,5...4mm²).



Order example: **VATRA DSP46U-EU-60-123 N3**

decoding of modification:

1 figure • lighting angle:

1- 120°

2 figure • network connection, mounting set:

1- individual - one cable gland, universal mounting knot

2- transit - two cable glands, universal mounting knot

4- individual - one cable gland, mounting brackets

5- transit - two cable glands, mounting brackets

3 figure • light-transparent protective element:

3- cylindrical profiled matt light-stabilized self-extinguishing polycarbonate

• «EU» - lighting fixture with emergency unit

Picture	Type of lighting fixture	Rated voltage, V	Protection level	Power, W normal/emergency mode	Luminous flux, lm ±5% normal/emergency mode	Lighting angle	Dimensions, LxWxH, mm	Weight, kg ±10%
C	DSP46U-40-113 N3	230 AC	IP65	40	5400	120°	645x90x115	1,9
C	DSP46U-EU-40-113 N3	230 AC	IP65	40 / 3	5400 / 450	120°	645x90x115	3,1
C	DSP46U-40-123 N3	230 AC	IP65	40	5400	120°	670x90x115	1,9
C	DSP46U-EU-40-123 N3	230 AC	IP65	40 / 3	5400 / 450	120°	670x90x115	3,1
C	DSP46U-40-143, -153 N3	230 AC	IP65	40	5400	120°	755x90x115	1,9
C	DSP46U-EU-40-143, -153 N3	230 AC	IP65	40 / 3	5400 / 450	120°	755x90x115	3,1
C	DSP46U-60-113 N3	230 AC	IP65	60	8100	120°	935x90x115	2,6
C	DSP46U-EU-60-113 N3	230 AC	IP65	60 / 3	8100 / 450	120°	935x90x115	3,8
C	DSP46U-60-123 N3	230 AC	IP65	60	8100	120°	960x90x115	2,6
C	DSP46U-EU-60-123 N3	230 AC	IP65	60 / 3	8100 / 450	120°	960x90x115	3,8
C	DSP46U-60-143, -153 N3	230 AC	IP65	60	8100	120°	1050x90x115	2,6
C	DSP46U-EU-60-143, -153 N3	230 AC	IP65	60 / 3	8100 / 450	120°	1050x90x115	3,8
C	DSP46U-80-113 N3	230 AC	IP65	80	10800	120°	1240x90x115	3,4
C	DSP46U-EU-80-113 N3	230 AC	IP65	80 / 3	10800 / 450	120°	1240x90x115	4,6
C	DSP46U-80-123 N3	230 AC	IP65	80	10800	120°	1270x90x115	3,4
C	DSP46U-EU-80-123 N3	230 AC	IP65	80 / 3	10800 / 450	120°	1270x90x115	4,6
C	DSP46U-80-143, -153 N3	230 AC	IP65	80	10800	120°	1355x90x115	3,4
C	DSP46U-EU-80-143, -153 N3	230 AC	IP65	80 / 3	10800 / 450	120°	1355x90x115	4,6
C	DSP46U-120-113 N3	230 AC	IP65	120	16200	120°	1825x90x115	4,9
C	DSP46U-EU-120-113 N3	230 AC	IP65	120 / 3	16200 / 450	120°	1825x90x115	6,1
C	DSP46U-120-123 N3	230 AC	IP65	120	16200	120°	1850x90x115	4,9
C	DSP46U-EU-120-123 N3	230 AC	IP65	120 / 3	16200 / 450	120°	1850x90x115	6,1
C	DSP46U-120-143, -153 N3	230 AC	IP65	120	16200	120°	1935x90x115	4,9
C	DSP46U-EU-120-143, -153 N3	230 AC	IP65	120 / 3	16200 / 450	120°	1935x90x115	6,1

DSP07U

VATRA Corporation

www.vatra.ua



source of light and power, W.....	LEDs • 30, 40, 60, 70, 80
rated voltage, V.....	230 AC
protection level.....	IP66
correlated colour temperature (CCT)...	4000K
power factor compensation (PFC).....	0,95...0,97
ambient temperature.....	-30°C...+40°C (N2) +5°C...+40°C (N2) for emergency modifications



Lighting fixture is used for illumination industrial, commercial, sport, administrative, agricultural, warehouses and other premises.

Housing: shock proof self extinguished polycarbonate.
Light-transparent protective element: shock proof matt light-stabilized polycarbonate.
Clips: spring stainless steel.
Cable gland: 1 or 2pcs.
Control gear (modification):

- driver *Osram* (5 years of guarantee)
- driver with DIM function
- driver with DALI function
- driver and emergency unit

Source of light: LEDs.

Delivery set: lighting fixture with LEDs, mounting knot.

ADVANTAGES:

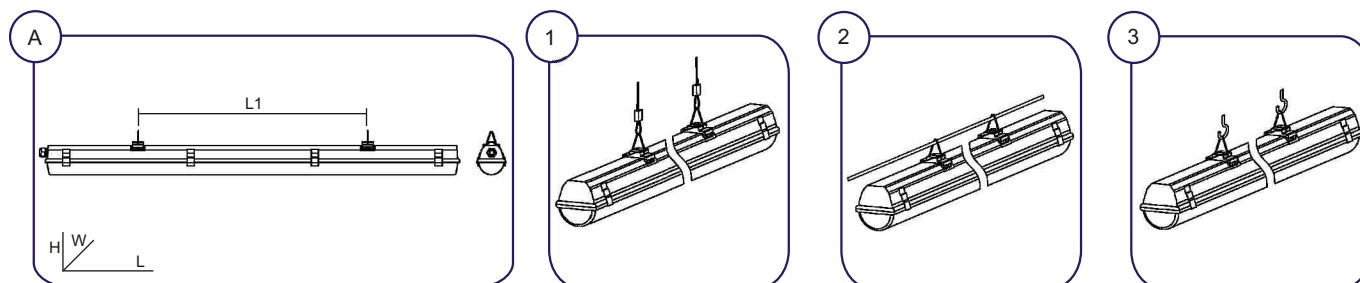
- the light-transparent protective element is based on optical characteristics, is ultraviolet-resistant and has an extremely high transmittance of more than 90%, which is excellent for luminaries equipped with LED modules.
- works in range of AC 198...264V;
- on request: DC operating voltage 230V;
- modifications with emergency unit and Ni-MH battery for emergency mode at least 3 hours;
- modifications with DIM-driver - regulation of the intensity of luminous flux by dimming (1...10V DC) in the range 10...100%;
- modifications with DALI-driver - intelligent digital control system, which allows automatic and semi-automatic control of the brightness and operation of a lighting fixture or group of fixtures;
- source of light - LEDs - energy efficiency «A++»;
- on request: CCT - 3000K or 5000K;
- two cable glands make possible quick transit connection to power supply line;
- electric components and LEDs are from leading world manufacturers.

DSP07U

Mounting:

- on horizontal supporting surface - screws, threaded pins, bolts
- hanging on vertical rope (1) or horizontal rope (2)
- hanging on hooks (3)

Network connection: transit or individual, cable Ø7...13mm (core section up to 2,5mm²).



Order example: **VATRA DSP07U-60-014 N2**

decoding of modification:

1 figure • complete set:

- 0- driver
- 1- driver and emergency unit
- 2- driver with DIM function
- 3- driver with DALI function

2 figure • network connection:

- 1- individual, one cable gland
- 2- transit, two cable glands

3 figure • type of housing (Length x Width, mm)

Type of lighting fixture	Rated voltage, V	Protection level	Power, W ±5%	Luminous flux, lm ±5%	Dimensions, LxWxH, mm	L1, mm	Weight, kg ±10%
DSP07U-30-013, -213, -313 N2	230 AC	IP66	30	4350	1305x90x95	700	2,1
DSP07U-30-023, -223, -323 N2	230 AC	IP66	30	4350	1330x90x95	700	2,1
DSP07U-40-013, -213, -313 N2	230 AC	IP66	40	5800	1305x90x95	700	2,1
DSP07U-40-015, -215, -315 N2	230 AC	IP66	40	5800	1605x90x95	1000	2,8
DSP07U-40-023, -223, -323 N2	230 AC	IP66	40	5800	1330x90x95	700	2,1
DSP07U-40-025, -225, -325 N2	230 AC	IP66	40	5800	1630x90x95	1000	2,8
DSP07U-40-115 N2	230 AC	IP66	40	5800	1605x90x95	1000	3,4
DSP07U-40-125 N2	230 AC	IP66	40	5800	1630x90x95	1000	3,4
DSP07U-60-014, -214, -314 N2	230 AC	IP66	60	8700	1305x116x95	700	2,4
DSP07U-60-015, -215, -315 N2	230 AC	IP66	60	8700	1605x90x95	1000	2,8
DSP07U-60-024, -224, -324 N2	230 AC	IP66	60	8700	1330x116x95	700	2,4
DSP07U-60-025, -225, -325 N2	230 AC	IP66	60	8700	1630x90x95	1000	2,8
DSP07U-60-114 N2	230 AC	IP66	60	8700	1305x116x95	700	3
DSP07U-60-115 N2	230 AC	IP66	60	8700	1605x90x95	1000	3,4
DSP07U-60-124 N2	230 AC	IP66	60	8700	1330x116x95	700	3
DSP07U-60-125 N2	230 AC	IP66	60	8700	1630x90x95	1000	3,4
DSP07U-70-016, -216, -316 N2	230 AC	IP66	70	10150	1605x116x95	1000	3,1
DSP07U-70-026, -226, -326 N2	230 AC	IP66	70	10150	1630x116x95	1000	3,1
DSP07U-70-116 N2	230 AC	IP66	70	10150	1605x116x95	1000	3,7
DSP07U-70-126 N2	230 AC	IP66	70	10150	1630x116x95	1000	3,7
DSP07U-80-016, -216, -316 N2	230 AC	IP66	80	11600	1605x116x95	1000	3,1
DSP07U-80-026, -226, -326 N2	230 AC	IP66	80	11600	1630x116x95	1000	3,1
DSP07U-80-116 N2	230 AC	IP66	80	11600	1605x116x95	1000	3,7
DSP07U-80-126 N2	230 AC	IP66	80	11600	1630x116x95	1000	3,7

DKU41U

VATRA Corporation

www.vatra.ua



source of light and power, W..... **LEDs • 20, 30, 40, 50, 60, 75, 100, 120, 150, 170**
 rated voltage, V..... **230 AC**
 protection level..... **IP66**
 correlated colour temperature (CCT)... **4000K (3850...4150K)**
 power factor compensation (PFC)..... **0,95**
 ambient temperature..... **-40°C...+50°C (N1)**



Lighting fixture is used for lighting streets, roads, highways; parkings, for lighting squares and other open spaces; parks, footpaths in residential areas, as well as industrial areas, transport, railway, building and agricultural objects; sports complexes.
Modification "Crosswalks" for lighting ground pedestrian crosswalks.

Housing: aluminium alloy.
 Light transparent protective element: flat transparent heat-resistance glass.
 Mounting holder: alluminum alloy.
 Control gear: driver *Mean Well*.
 Source of light: LEDs *Seoul Semiconductor*.

Delivery set: lighting fixture with LEDs.

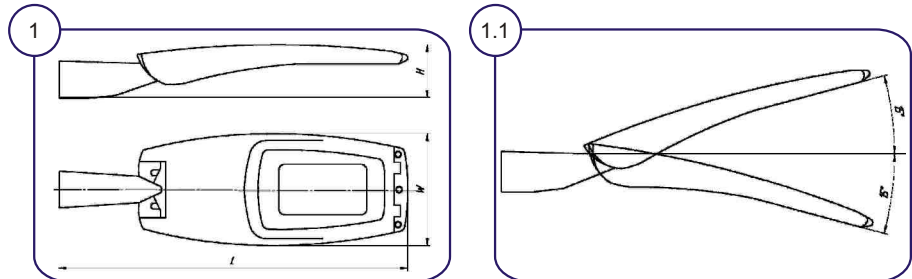
ADVANTAGES :

- photo-electric relay is included - lighting fixture is on/off in particular time of day during the change of lighting conditions day/night;
- on request: electronic power supply can be programmed with 9 levels dimming all day regime and can be worked in offline mode without any additional system. It carries on dimming schedule after power on and has wireless capabilities;
- on request: flash-lightning protection - 10 kV;
- source of light - LEDs - energy efficiency «A++»;
- on request: CCT - 3000K or 5000K;
- electric components and LEDs are from leading world manufacturers.

Mounting: on metal mounting bracket support -
 for 20W, 30W, 40W, 50W, 60W, 75W, 100W, 120W on pipe Ø48...60mm;
 for 150W, 170W on pipe Ø60...75mm.

Rotation angle, horizontal up to 30°

Network connection: individual, cable Ø6...12mm (core section 1,5...4mm²)



Order example: **VATRA DKU41U-100-001 N1**

decoding of modification:

- 1 figure - 0
- 2 figure - lighting angle:
 1- 130°
 3- special for "Crosswalks"

Lighting fixture type	Rated voltage, V	Protection level	Power, W ±5%	Luminous flux, lm ±5%	Lighting angle	Dimensions, LxWxH, mm	Weight, kg ±10%
DKU41U-50-001 N1	230 AC	IP66	50	6500	130°	641x241x114	4,5
DKU41U-60-001 N1	230 AC	IP66	60	7800	130°	641x241x114	4,5
DKU41U-75-001 N1	230 AC	IP66	75	9750	130°	641x241x114	4,5
DKU41U-100-001 N1	230 AC	IP66	100	13000	130°	738x289x118	6,2
DKU41U-120-001 N1	230 AC	IP66	120	15600	130°	738x289x118	6,2
DKU41U-150-001 N1	230 AC	IP66	150	19500	130°	922x360x144	10,6
DKU41U-170-001 N1	230 AC	IP66	170	22100	130°	922x360x144	10,6
DKU41U-20-003 N1 Crosswalks	230 AC	IP66	20	2600	spec.	641x241x114	4,5
DKU41U-30-003 N1 Crosswalks	230 AC	IP66	30	3900	spec.	641x241x114	4,5
DKU41U-40-003 N1 Crosswalks	230 AC	IP66	40	5200	spec.	641x241x114	4,5
DKU41U-50-003 N1 Crosswalks	230 AC	IP66	50	6500	spec.	641x241x114	4,5
DKU41U-60-003 N1 Crosswalks	230 AC	IP66	60	7800	spec.	641x241x114	4,5
DKU41U-75-003 N1 Crosswalks	230 AC	IP66	75	9750	spec.	641x241x114	4,5

DTU18U

VATRA Corporation

www.vatra.ua



source of light and power, W..... **LEDs • 25, 40, 60, 80, 100, 120, 150, 200**
 rated voltage, V..... **230 AC**
 protection level..... **IP65**
 correlated colour temperature (CCT)... **4000K**
 power factor compensation (PFC)..... **0,95**
 ambient temperature..... **-40°C...+40°C (N1)**



Lighting fixture is used for lighting streets, roads, highways; parkings, for lighting squares and other open spaces; parks, footpaths in residential areas, as well as industrial areas, transport, railway, building and agricultural objects; sports complexes. Modification "Crosswalks" for lighting ground pedestrian crosswalks.

Housing: aluminum alloy.
 Light-transparent protective element: plain transparent heat-resistant silicate glass.
 Mounting lyre: rolled steel.
 Mounting holder: extruded anodized aluminum profile.
 Control gear: driver *Mean Well*.
 Cable gland: 1pc.
 Source of light: LEDs *LG* or *Seoul Semiconductor*.

Delivery set: lighting fixture with LEDs.

ADVANTAGES:

- regulation of lighting direction;
- on request: flash-lightning protection - 10 kV;
- on request: AC operating voltage for 60W max. - 12V, 24V, 36V or DC 220V, for 80W max. - 12V, 24V, for 60W max. - 36V;
- source of light - LEDs - energy efficiency «A++»;
- on request: CCT - 3000K or 5000K;
- electric components and LEDs are from leading world manufacturers.

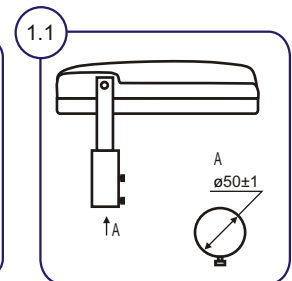
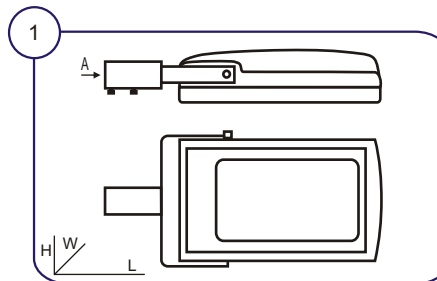
Mounting: on metal mounting bracket support Ø50mm (or 60mm, on request), with regulation ability.

Network connection: individual, cable Ø4...10mm (core section 1,5...2,5mm²).

Order example: **VATRA DTU18U-100-001 N1**

decoding of modification:

- 1 figure • 0
- 2 figure • 0- holder for installation on pipe Ø50, or on request 60mm
- 3 figure • lighting angle:
 - 1- 160°
 - 3- special for "Crosswalks"



Lighting fixture type	Rated voltage, V	Protection level	Power, W ±5%	Luminous flux, lm ±5%	Lighting angle	Dimensions, LxWxH, mm	Weight, kg ±10%
DTU18U-60-001 N1	230 AC	IP65	60	7200	160°	570x356x95	8,4
DTU18U-80-001 N1	230 AC	IP65	80	9600	160°	570x356x95	8,5
DTU18U-100-001 N1	230 AC	IP65	100	12000	160°	570x356x95	8,5
DTU18U-120-001 N1	230 AC	IP65	120	14400	160°	570x356x95	8,6
DTU18U-150-001 N1	230 AC	IP65	150	18000	160°	570x356x95	8,6
DTU18U-200-001 N1	230 AC	IP65	200	24000	160°	570x356x95	8,6
DTU18U-25-003 N1 Crosswalks	230 AC	IP65	25	3000	spec.	570x365x95	8,4
DTU18U-40-003 N1 Crosswalks	230 AC	IP65	40	4800	spec.	570x365x95	8,4
DTU18U-60-003 N1 Crosswalks	230 AC	IP65	60	7200	spec.	570x365x95	8,4

DTU20U



source of light and power, W..... **LEDs • 45, 60**
 rated voltage, V..... **230 AC, 230 DC**
 protection level..... **IP65**
 correlated colour temperature (CCT)... **4000...5000K**
 power factor compensation (PFC)..... **0,95**
 ambient temperature..... **-40°C...+40°C (N1)**



Lighting fixture is used for decorative lighting of parks, squares, gardens, etc..

Housing: aluminum alloy.
 Protective covering: weather-proof powder enamel, colour - on request.
 Light-transparent protective element: shockproof light-stabilized polycarbonate.
 Control gear: driver *Mean Well*.
 Source of light: LEDs.

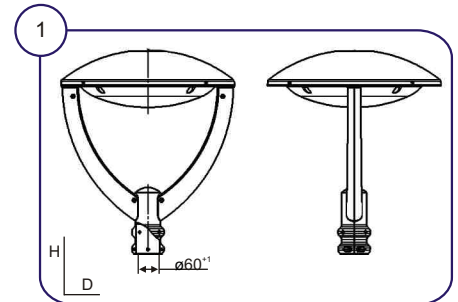
Delivery set: lighting fixture with LEDs.

ADVANTAGES:

- source of light - LEDs - energy efficiency «A++»;
- electric components and LEDs are from leading world manufacturers.

Mounting: on vertical pipe Ø57mm. Driver is situated at the bottom of support.

Network connection: cable or wires, core section 1,5...4mm².



Order example: **VATRA DTU20U-45-002 N1**

decoding of modification:
 1 figure • 0
 2 figure • 0
 3 figure • lighting angle:
 2- 120°

Lighting fixture type	Rated voltage, V	Protection level	Power, W ±5%	Luminous flux, lm ±5%	Lighting angle	Dimensions, DxH, mm	Weight, kg ±10%
DTU20U-45-002 N1	230 AC/DC	IP65	45	5400	120°	450x525	8,5
DTU20U-60-002 N1	230 AC/DC	IP65	60	7200	120°	450x525	8,5

DTU09U-ZOD

VATRA Corporation

www.vatra.ua



source of light and power, W..... **LEDs • 6**
 rated voltage, V..... **230 AC, 24 AC**
 protection level..... **IP65**
 power factor compensation (PFC)..... **0,95**
 ambient temperature..... **-50°C...+50°C (N1)**



Lighting fixture is used for marking the high and extensive facilities to ensure safe air traffic - red glow. To indicate helipads - green glow.

Housing: aluminium alloy and sheet aluminum.
 Light-transparent protective element: transparent heat-resistant borosilicate glass.
 Control gear: driver VATRA.
 Source of light: LEDs *Osram* red or green glow.

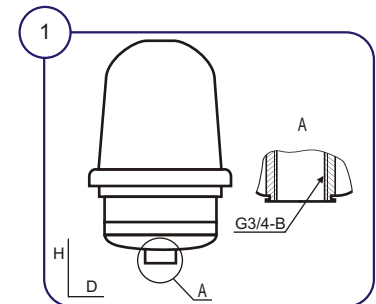
Delivery set: lighting fixture with LEDs.

ADVANTAGES:

- high IP-requirements, fireproof, high mechanical strength and reliability;
- on request: AC operating voltage 12V, 36V;
- source of light - LEDs - energy efficiency «A++»;
- electric components and LEDs are from leading world manufacturers.

Mounting: on vertical screwed pipe G3/4-B.

Network connection: cable Ø6...13mm (core section 1,5...2,5mm²).



Order example: **VATRA DTU09U-ZOD-6-011 N1**

decoding of modification:

1 figure • emission colour:

0- red

1- green

2 figure • supply voltage:

0- 230V

1- 24V

3 figure • 1

Lighting fixture type	Emission colour	Rated voltage, V	Protection level	Luminous intensity, η min	Glow angle, degrees, horizontal/vertical plane	Dimensions, DxH, mm	Weight, kg ±10%
DTU09U-ZOD-6-001 N1	red	230 AC	IP65	10	360/96	205x290	4
DTU09U-ZOD-6-011 N1	red	24 AC	IP65	10	360/96	205x290	4
DTU09U-ZOD-6-101 N1	green	230 AC	IP65	10	360/96	205x290	4
DTU09U-ZOD-6-111 N1	green	24 AC	IP65	10	360/96	205x290	4

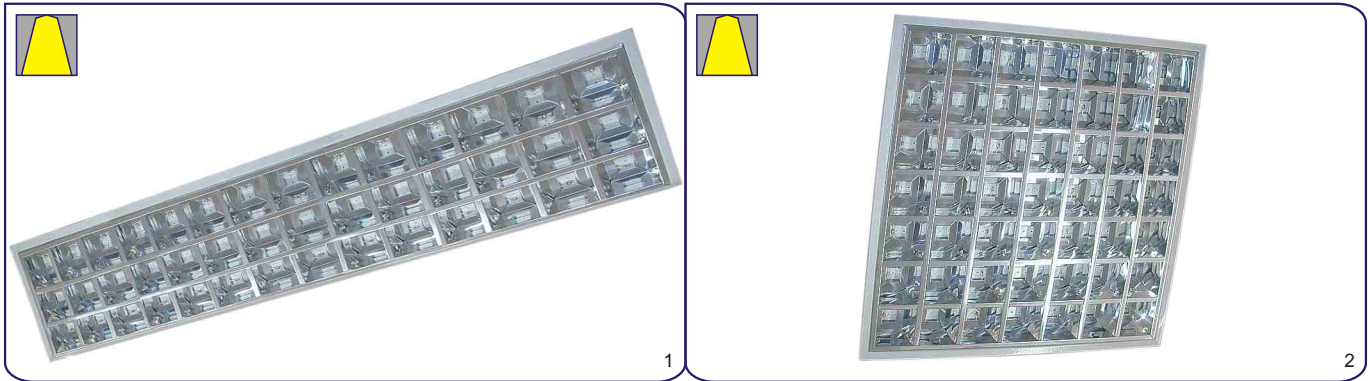
DPO25U Jupiter-LED

VATRA Corporation

www.vatra.ua



source of light and power, W..... **LEDs • 50, 59**
 rated voltage, V..... **230 AC**
 protection level..... **IP20**
 correlated colour temperature (CCT)... **6000K**
 power factor compensation (PFC)..... **0,95**
 ambient temperature..... **-20°C...+40°C (NF4)**



Lighting fixture is used for general lighting of administrative, office, commercial, educational and public spaces.

Housing: sheet steel.
 Reflector: high purity mirror aluminum sheet - removable grille, curable spring clips.
 Control gear: driver *Philips* or *Osram*.
 Source of light: LEDs *LG*.

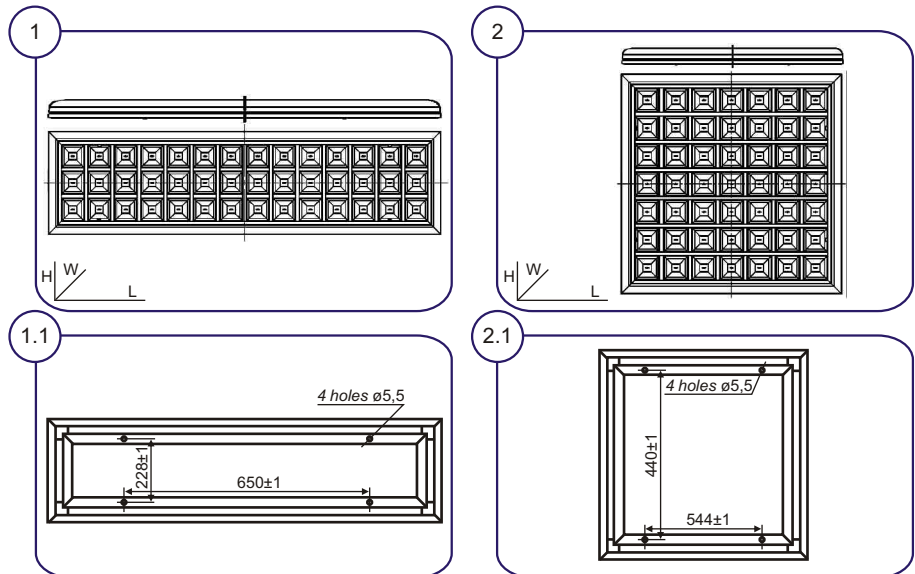
Delivery set: lighting fixture with LEDs.

ADVANTAGES:

- aluminum reflector provides a predetermined light distribution, creating high-quality and comfortable lighting with high light levels and minimizing the loss of luminous flux;
- on request: DC operating voltage 230V;
- source of light - LEDs - energy efficiency «A++»;
- electric components and LEDs are from leading world manufacturers.

Mounting: on supporting surface or mounting profile using screws, threaded rods or bolts.

Network connection: individual cable \varnothing up to 10mm (core section 1,5...2,5mm²) or wires core section 1,5...2,5mm².



Order example: **VATRA DPO25U-50-002 NF4 Jupiter-LED**

decoding of modification:

- 1 figure • 0- LED module with aluminum panels
- 2 figure • 0- raster reflector: mirror
- 3 figure • 2- power 50W; CCT 6000K (cold white)
- 3- power 59W; CCT 6000K (cold white)

Lighting fixture type	Photo	Rated voltage, V	Protection level	Power, W ±5%	Luminous flux, lm ±5%	Lighting angle	Dimensions, LxWxH, mm	Weight, kg ±10%
DPO25U-50-002 NF4 Jupiter-LED	1	230 AC	IP20	50	6000	60°	1182x314x47	4,6
DPO25U-59-003 NF4 Jupiter-LED	2	230 AC	IP20	59	7080	60°	630x630x47	4,7

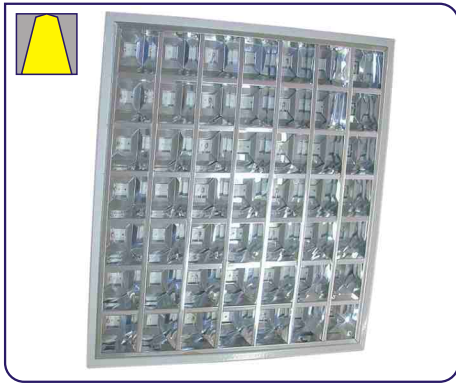
DVO16U Jupiter-LED-M

VATRA Corporation

www.vatra.ua



source of light and power, W..... **LEDs • 50**
 rated voltage, V..... **230 AC**
 protection level..... **IP20**
 correlated colour temperature (CCT)... **3000K**
 power factor compensation (PFC)..... **0,95**
 ambient temperature..... **-20°C...+40°C (NF4)**



Lighting fixture is used for general lighting of administrative, office, commercial, medical, educational and public spaces.

Housing: sheet steel and sheet aluminum.
 Reflector: high purity mirror aluminum sheet - removable grille, curable spring clips.
 Control gear: driver *Philips*, or *RT*, or *Osram*.
 Source of light: LEDs *LG*.

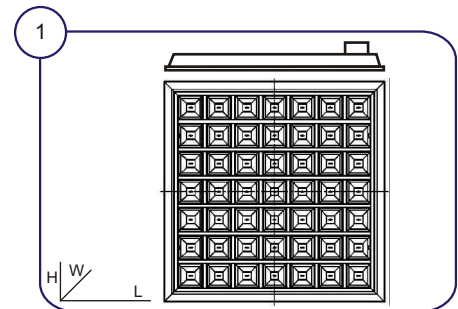
Delivery set: lighting fixture with LEDs.

ADVANTAGES:

- raster reflector design provides an overall limit of brightness - protective angle 40°.
- aluminum reflector provides a predetermined light distribution, creating high-quality and comfortable lighting with high light levels and minimizing the loss of luminous flux;
- on request: DC operating voltage 230V;
- source of light - LEDs - energy efficiency «A++»;
- electric components and LEDs are from leading world manufacturers.

Mounting: in hole of the ceiling.

Network connection: individual cable Ø up to 10mm (core section 1,5...2,5mm²) or by wires core section 1,5...2,5mm².



Order example: **VATRA DVO16U-50-001 NF4 Jupiter-LED**

decoding of modification:

- 1 figure • 0- power 50W; CCT 3000K (warm white)
- 2 figure • 0- raster reflector: mirror
- 3 figure • 1- lighting angle: 60°

Lighting fixture type	Rated voltage, V	Protection level	Power, W ±5%	Luminous flux, lm ±5%	Lighting angle	Dimensions, LxWxH, mm	Weight, kg ±10%
DVO16U-50-001 NF4 Jupiter-LED-M	230 AC	IP20	50	6000	60°	596x596x80	5



*VATRA Corporation
Mykuyinetska 46, Ternopil, 46005, Ukraine
ph. +38 (0-352) 47-05-00
vatra.market@gmail.com
<http://vatra.ua>*