

# DSP18VEx

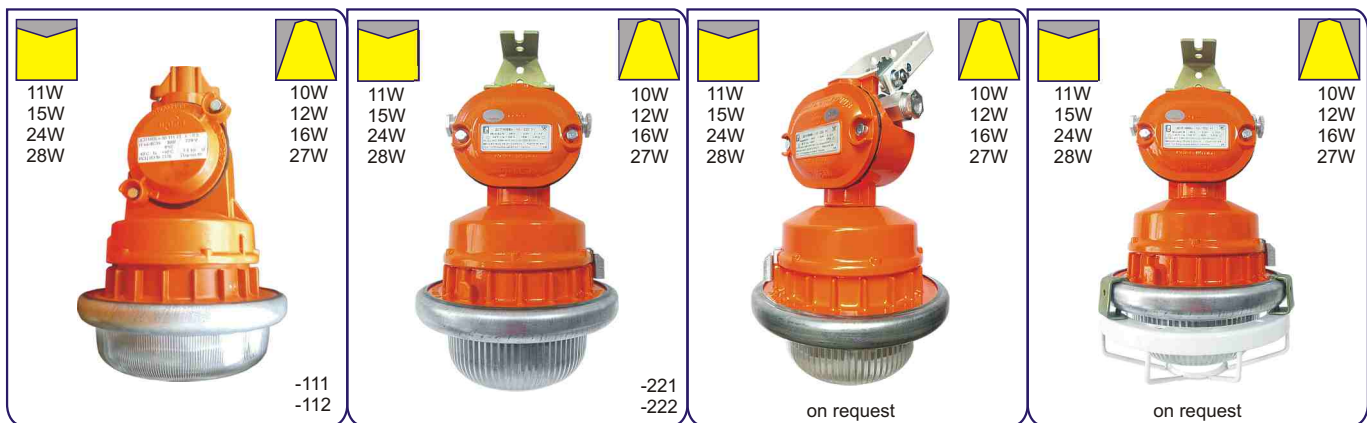
VATRA Corporation

www.vatra.ua

catalogue 2019



source of light and power, W..... LEDs • 10; 11; 12; 15; 16; 24; 27; 28  
 rated voltage, V..... 230 AC  
 protection level..... IP66  
 marking..... II 2G Ex db eb op is IIC T6 Gb  
 II 2D Ex tb op is IIIC T80° Db  
 electrical protection class..... I  
 mechanical durability..... M1...M6  
 correlated colour temperature..... 4000K (3800...4200K)  
 power factor compensation (PFC).... 0,95  
 ambient temperature..... -40°C...+40°C (N1); -60°C...+40°C (NF1)



Explosion-proof LED lighting fixture is used for lighting highly explosive areas 1, 2 and fire risk classes; and also hazardous areas of zones 21, 22 e.g industrial areas as oil-refining, gas chemical and other industries.

Housing: aluminum alloy.  
 Light-transparent protective element - shockproof light stabilized polycarbonate.  
 Protective grid on request - steel wire  
 Control gear: mounted electronic power supply *Mean Well*.  
 Cable gland: 1 or 2pcs., on request: cap (1).  
 Source of light: LEDs *Osram*.

Delivery set: lighting fixture with LEDs, on request mounting element (look mounting scheme).

## ADVANTAGES:

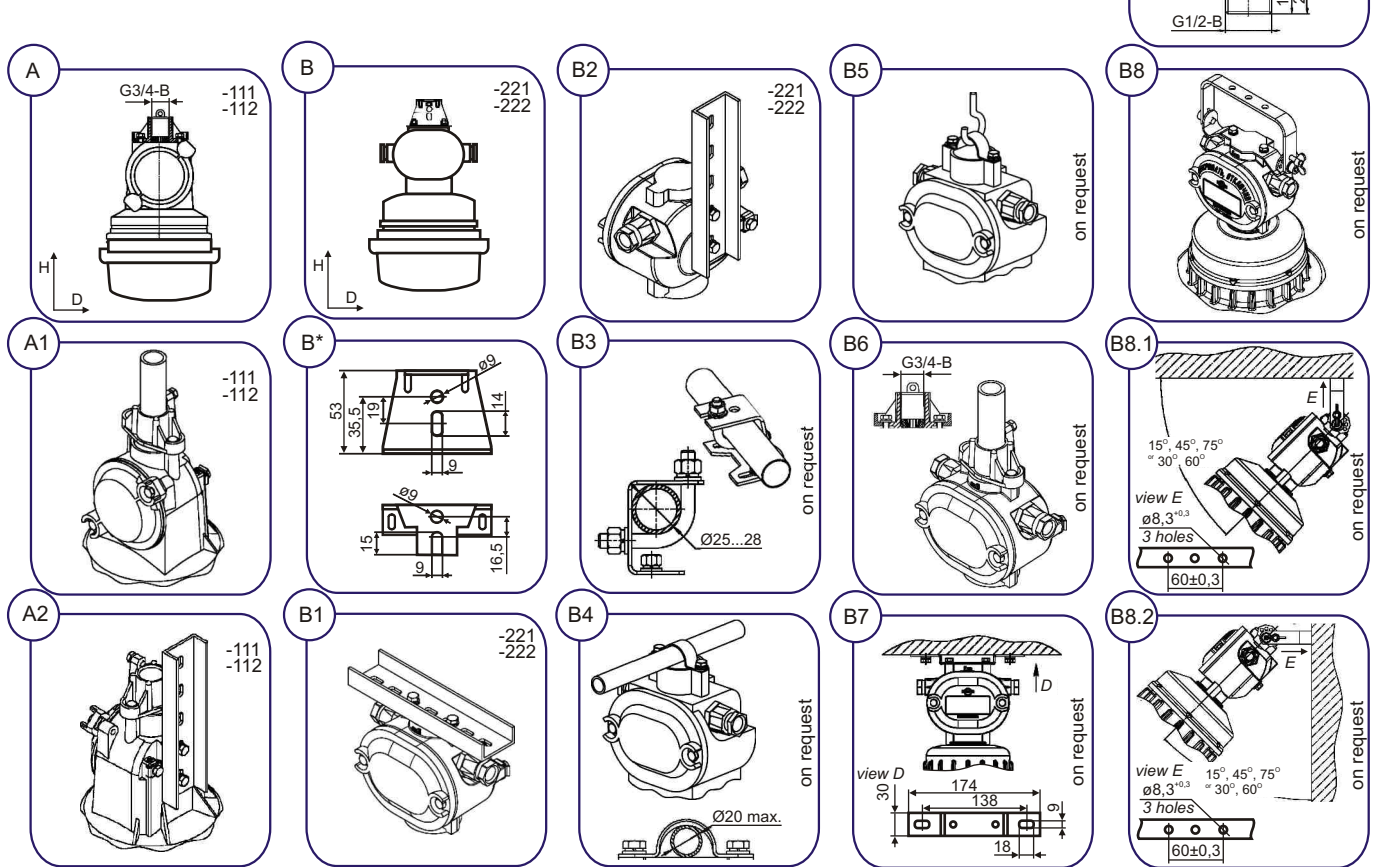
- operating range of AC voltage 90...264V and DC voltage 127...370V;
- on request lighting fixture with operating range of AC voltage 12V, 24V, 36V;
- explosion protection is increased because body's heating temperature is reduced (LED block is mounted on special radiator, which disposes warm), it helps to use lighting fixture on hazardous manufactures;
- input is connected with the housing by steel screwed cap (bushing) which is provided construction resistance and is kept screwed explosion slot size;
- high IP-requirements, shockproof;
- weatherproof - long life cycle;
- source of light - energy efficient LEDs (more than 50 000 hours of continuous work), ecological harmless, don't need special recycling (without mercury), instant light on/light off, stable to change of voltage, multiple on/off, high colour rendering; no harmful effect of low-frequency pulses, no UV radiation;
- electric components and LEDs are from leading world manufacturers;
- two cable glands make possible quick transit connection to power supply line.

# DSP18VEx

Network connection individual (A) cable  $\varnothing 8...16\text{mm}$  or transit (B) cable  $\varnothing 7...13\text{mm}$  (core section  $1,5...4\text{mm}^2$ ); on request: cap (1).

**Installation:**

- (A) individual - on vertical screwed pipe G3/4-B (A1), vertical mounting profile (A2).
- (B) transit or individual - on hook, on horizontal (B1) or vertical (B2) mounting profile, on request: on horizontal pipe with outer  $\varnothing 25...28\text{mm}$  (B3), on horizontal pipe with outer max  $\varnothing 20\text{mm}$  (B4); on hook (B5), on vertical screwed pipe G3/4-B (B6), on horizontal surface (B7), with the help of rotary harp (B8) on horizontal (B8.1) or vertical (B8.2) surface with the angle  $15^\circ...75^\circ$  with fixation.



**Order example: VATRA DSP18VEx-36-111 N1**

**decoding of modification:**

- 1 figure • 1- individual network connection  
 2- transit (in line) network connection  
 2 figure • 1- on screwed pipe G3/4-B, vertical mounting profile  
 2- on hook, on vertical or horizontal mounting profile, on horizontal pipe  
 3 figure • 1- optional figure  
 2- optional figure

Lighting fixture type	Rated voltage, V	Protection level	Marking	Nominal power, W	Luminous flux, lm	Light distribution	Dimensions, DxH, mm	Weight, kg $\pm 10\%$
DSP18VEx-10-112 N1, NF1	230 AC/DC	IP66	T6 / T80°	10	1200	120°	205x335	3,8
DSP18VEx-10-222 N1, NF1	230 AC/DC	IP66	T6 / T80°	10	1200	120°	205x310	3,8
DSP18VEx-11-112 N1, NF1	230 AC/DC	IP66	T6 / T80°	11	1350	170°	205x335	3,8
DSP18VEx-11-222 N1, NF1	230 AC/DC	IP66	T6 / T80°	11	1350	170°	205x310	3,8
DSP18VEx-12-112 N1, NF1	230 AC/DC	IP66	T6 / T80°	12	1550	120°	205x335	3,8
DSP18VEx-12-222 N1, NF1	230 AC/DC	IP66	T6 / T80°	12	1550	120°	205x310	3,8
DSP18VEx-15-112 N1, NF1	230 AC/DC	IP66	T6 / T80°	15	1950	170°	205x335	3,8
DSP18VEx-15-222 N1, NF1	230 AC/DC	IP66	T6 / T80°	15	1950	170°	205x310	3,8
DSP18VEx-16-112 N1, NF1	230 AC/DC	IP66	T6 / T80°	16	2100	120°	205x335	3,8
DSP18VEx-16-222 N1, NF1	230 AC/DC	IP66	T6 / T80°	16	2100	120°	205x310	3,8
DSP18VEx-24-112 N1, NF1	230 AC/DC	IP66	T6 / T80°	24	3000	170°	205x335	3,8
DSP18VEx-24-222 N1, NF1	230 AC/DC	IP66	T6 / T80°	24	3000	170°	205x310	3,8
DSP18VEx-30-111 N1, NF1	230 AC/DC	IP66	T6 / T80°	27	3250	120°	205x335	3,8
DSP18VEx-30-221 N1, NF1	230 AC/DC	IP66	T6 / T80°	27	3250	120°	205x310	3,8
DSP18VEx-36-111 N1, NF1	230 AC/DC	IP66	T6 / T80°	28	3360	170°	205x335	3,8
DSP18VEx-36-221 N1, NF1	230 AC/DC	IP66	T6 / T80°	28	3360	170°	205x310	3,8